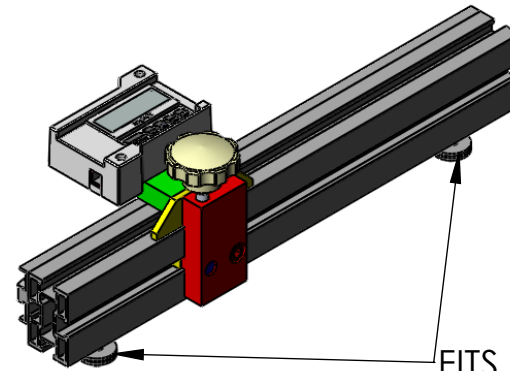
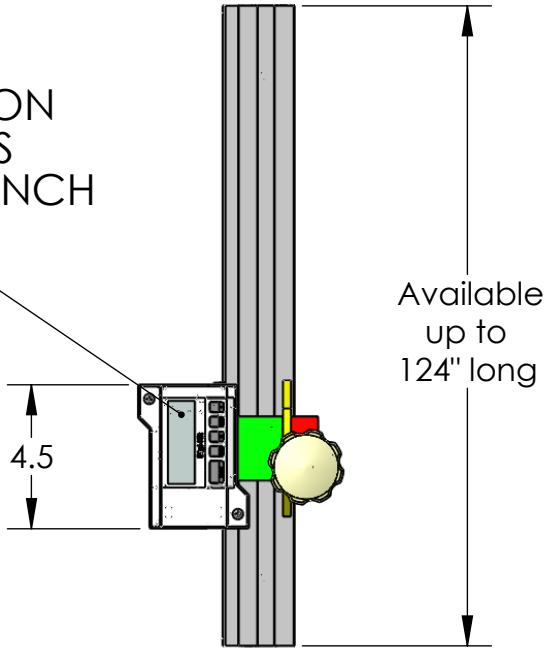
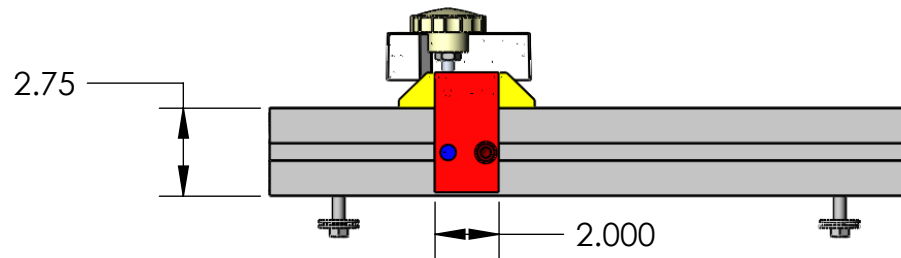
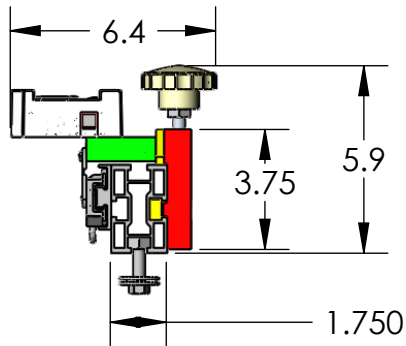


DIMENSION NUMBERS ARE 1/2 INCH TALL



FITS BENCHES FROM 1/2" TO 1" THICK WITH INCLUDED INSTALLATION HARDWARE



PROPRIETARY AND CONFIDENTIAL
 THE INFORMATION CONTAINED IN THIS DRAWING IS THE SOLE PROPERTY OF ACCURATE TECHNOLOGY, INC. ANY REPRODUCTION IN PART OR AS A WHOLE WITHOUT THE WRITTEN PERMISSION OF ACCURATE TECHNOLOGY IS PROHIBITED.

UNLESS OTHERWISE SPECIFIED:		NAME	DATE	ACCURATE TECHNOLOGY INC	
DIMENSIONS ARE IN INCHES		DRAWN	MF	7/4/2008	TITLE: DIGI-STOP
TOLERANCES:		CHECKED			
ANGULAR: MACH ±1 BEND ±2		ENG APPR.			
ONE PLACE DECIMAL ±0.050		MFG APPR.			
TWO PLACE DECIMAL ±0.020		Q.A.			SIZE DWG. NO. REV A 903-60XX-001 B
THREE PLACE DECIMAL ±0.005		COMMENTS:			
INTERPRET GEOMETRIC TOLERANCING PER:					SCALE: 1:6 WEIGHT: SHEET 1 OF 1
MATERIAL ASST					
FINISH DEBURR ENDS					
DO NOT SCALE DRAWING					